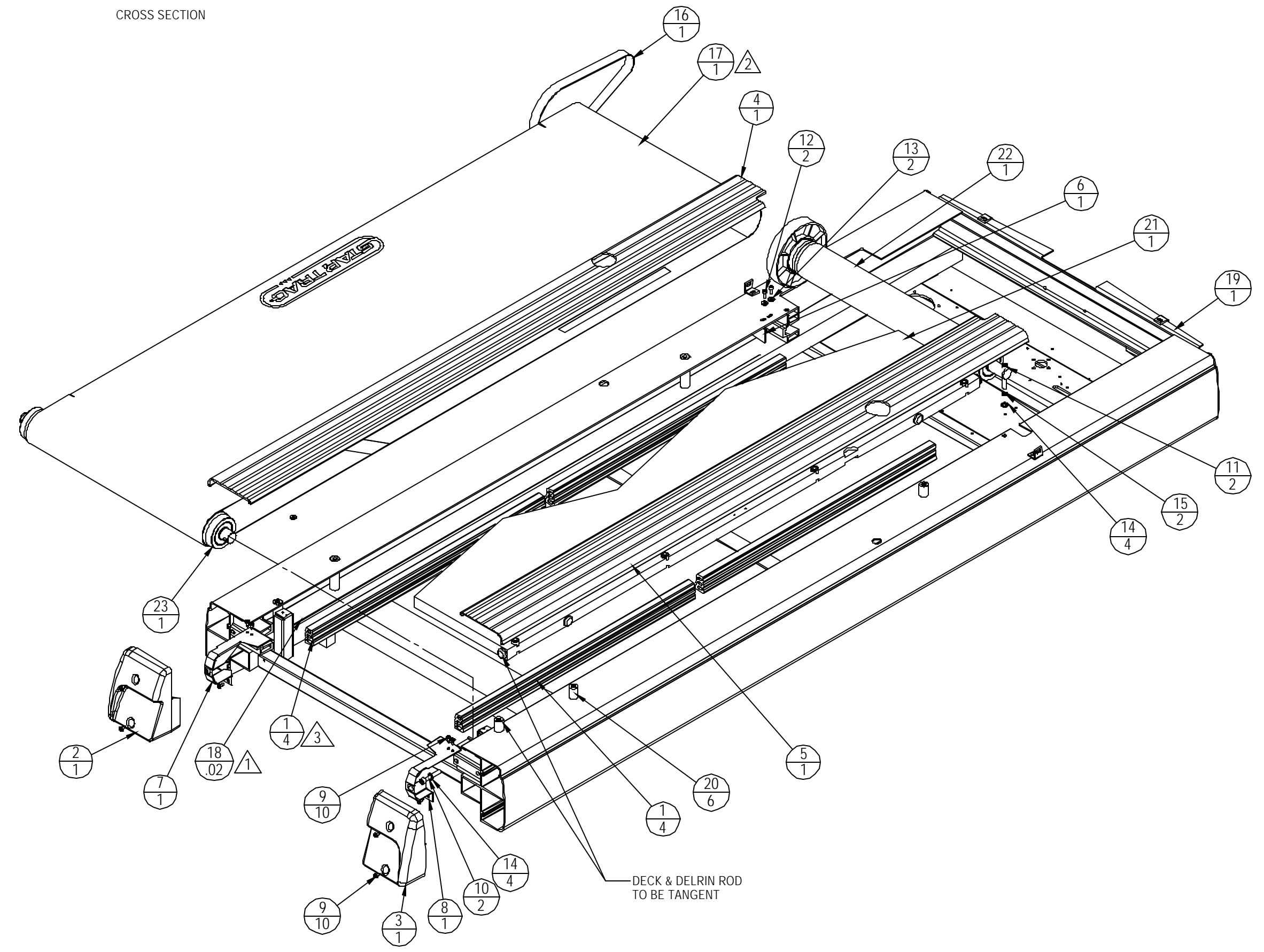
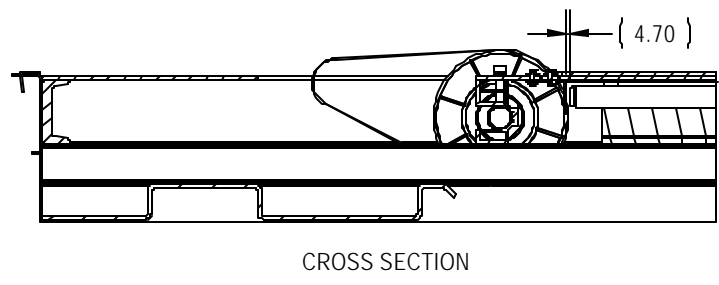


REVISIONS				
REV.	DATE	DESCRIPTION	ECO	BY
A	03-07-07	PRODUCTION RELEASE.	11558	VC
B	10-10-07	REPLACE: 020-7095-01/02 W 020-7254-01/02 REPLACE: 008-0061 W 015-3715 AND 015-3431 W 015-3717	11722	MK
C	01-02-08	REPLACE P/N: 715-3671 WITH P/N: 110-0651. P/N: 120-0490 QTY. IS: 4, WAS: 2.	11791	RKL
D	09-03-08	010-3106 QTY. IS: 4, WAS: 2. ADDED NOTE 3.	11999	MHK



ITEM	PART NUMBER	DESCRIPTION	QTY
1	010-3106	EXT, RUBBER, CUSHION, PRO TR	4
2	020-6241-01	ENDCAP, LEFT, PRO TR	1
3	020-6241-02	ENDCAP, RIGHT, PRO TR	1
4	020-6344-01	COVER, SIDEFAME, PRO-S, LEFT	1
5	020-6344-02	COVER, SIDEFAME, PRO-S, RIGHT	1
6	020-6388	BRACKET, DECK STOP	1
7	020-7254-01	BRACKET, FINGER GUARD, LT	1
8	020-7254-02	BRACKET, FINGER GUARD, RT	1
9	110-0475	SCREW, #10 AB X .50, PHCS, BLK OX	10
10	110-0651	SCREW, 5/16-18 X 1-3/4, SHCS	2
11	110-3056	SCREW, 5/16-18 X 2.0 SHCS BLK	2
12	110-3109	SCREW, 10-24 X .50, SHCS, W/ NYLON	2
13	120-0341	WASHER, FINISHED#10 3/32 THICK	2
14	120-0490	WASHER, 5/16 FLAT, 1/2" OD, .06 THICK	4
15	120-0496	WASHER, LOCK 5/16 MIN OD	2
16	130-1695	BELT, 270J10 POLY VEE	1
17	130-1708	BELT, RUN, E8/2 O/U3, AS, TXGD1.20" WIDTH	1
18	140-3115	ADHESIVE, CUSHION DECK	.02
19	710-1070-05	FRAME, PAINTED, NO LOAD CELL, 9000S	1
20	715-3196	STOP, DELRIN ROD, TR4000	6
21	715-3583	ASSY, DECK, WAXLESS, PRO TR	1
22	715-3715	ASSY, ROLLER, HEAD, 3.0, FLAT, PRO	1
23	715-3717	ASSY, ROLLER, TAIL, 3.0 FLAT, PRO	1

- NOTES:
- 1 REMOVE PAINT PROTECTION FILM, CLEAN SURFACE OF RUBBER EXTRUSION AND FRAME, THEN RUN A BEAD OF ADHESIVE IN A 1/2" WAVE SHAPE ALONG THE SIDE EXTRUSION AND BOND RUBBER TO FRAME.
 - 2 RUNNING BELT INSTALLATION AND TENSIONING:
 - a) BELT ROTATION IS DETERMINED BY POINTING THE LOGO TOWARDS THE TAIL ROLLER.
 - b) ALIGN THE SMALL MARKS OF THE BELT WITH THE FRONT EDGE OF THE DECK.
 - c) TIGHTEN THE ROLLER SCREWS UNTIL THE OTHER SET OF BELT MARKS ALIGNS WITH THE BACK EDGE OF THE DECK.
 - d) IF NECESSARY TURN ROLLER SCREWS IN 1/4 OF TURN TO CENTER THE BELT.
 - 3 BUTT UP ENDS OF 010-3106 TOGETHER.

**DOCUMENT STATUS:
RELEASE**

NOTICE OF PROPRIETARY INFORMATION
THIS DOCUMENT SHALL NOT BE REPRODUCED NOR SHALL THE INFORMATION CONTAINED HEREIN BE USED BY OR DISCLOSED TO OTHER EXCEPT AS EXPRESSLY AUTHORIZED BY UNISEN

MATERIAL SEE BOM		TOLERANCES UNLESS OTHERWISE SPECIFIED X.XXX ± .010 (0.25MM) ANGLES ± .2° X.XX ± .030 (0.76MM) FRACTIONS ± 1/32 X.X ± .050 (1.27MM) X ± .125 (3.20MM)		UNISEN, INC. DBA 14410 Myford Road Irvine CA 92606	
FINISH N/A	VENDOR:	DATE 10-04-07	PART NO 715-3661	REV D	TITLE ASSY, BASE FRAME, VLAD, PRO TR
SCALE: 1:1		SHEET 1 OF 1		SHEET SIZE: C	